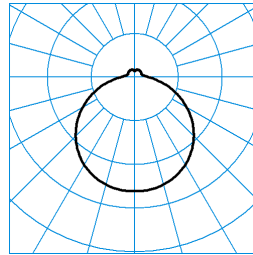


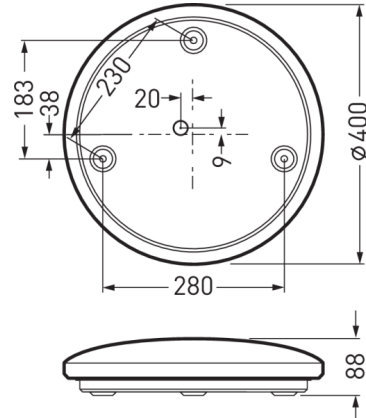
2340 WD2 LED 22/14/08/ML-830 ET

TOC: 7239940



TX084330 ■ C0 - C180
■ C90 - C270

UGR I = 20.4
 UGR q = 20.4
 DIN 5040: B32
 UTE: 0,88 G + 0,12 T



Offer text

Round surface-mounted LED luminaire with polystyrene diffuser. For wall or ceiling mounting. Secure diffuser fixing with bayonet fixing mechanism. Round, opal diffuser, spherical construction. With Lambertian light intensity distribution. Glare evaluation (EN 12464-1) according to UGR < 22. Luminaire with settable luminaire luminous flux // 2200 lm, Connected load depending on the set luminous flux level // 24 W. luminous efficiency of luminaire 88 lm/W. Light colour warm white, correlated colour temperature (CCT) 3000 K, general colour rendering index (CRI) $R_a > 80$. Mean rated service life $L70(t_q 25\text{ }^\circ\text{C}) = 35,000$ h. Luminaire body of aluminium, powder-coated white. Diameter of diffuser $\varnothing 400$ mm, luminaire height 88 mm. Permissible ambient temperature (ta): $-20\text{ }^\circ\text{C} - +25\text{ }^\circ\text{C}$. Safety class (EN 61140): , protection rating (DIN EN 60529): , impact resistance level in accordance with IEC 62262: , testing temperature of wire glow test in accordance with IEC 60695-2-11: . With electronic transformer, switchable. Weight 0,9 kg.

Product features and key data

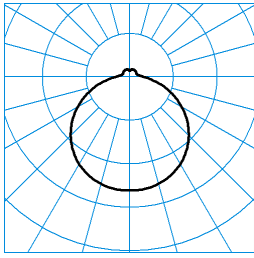
Applications	entrance areas corridors stairways recreation rooms Hotels and restaurants residential areas	
Luminaire type	Round surface-mounted LED luminaire with polystyrene diffuser.	
Mounting method	Surface-mounting	
Luminaire optic	Round, opal diffuser, spherical construction.	
LED-System	Luminous flux (level 0)	Luminous flux (level F)
Connected load	8 W	24 W
Colour temperature	3.000 K	3.000 K
Rated luminous flux	760 lm	2.100 lm
Luminous efficacy	95 lm/W	
CEN flux code	42 72 91 88 100 23 47 69 12	
Service life	$L70 (25\text{ }^\circ\text{C}) = 35.000$ h	
Colour rendering index	80	
Colour tolerance	5 SDCM	
Photobiological class	Group 0 - no risk	
Luminaire colour	RAL9016 Traffic white	
Luminaire body	Luminaire body of aluminium, powder-coated white.	
Electrical version	With electronic transformer, switchable.	
Connection method	Terminal	
Monitoring Ready	No	
Mains frequency	50/60 Hz	
Mains voltage	220 - 240 V	
Ingress Protection (IP) rating	IP20	
Protection class	I	
Impact resistance (IK)	IK02	
Hot wire resistance	650 °C	
Ambient temperature	25 °C	
Net height	88 mm	
Outside diameter	400 mm	
Weight	0,9 kg	

2340 WD2 LED 22/14/08/ML-830 ET

TOC: 7239940

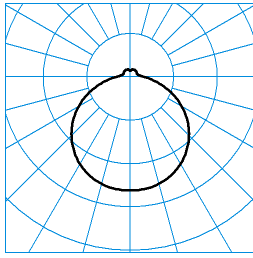


light distribution curve



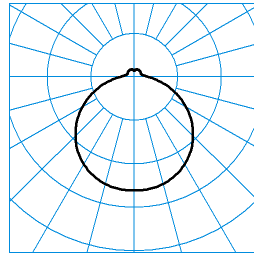
TX084330
UGR I = 20.4
UGR q = 20.4
DIN 5040: B32
UTE: 0,88 G + 0,12 T

■ C0 - C180
■ C90 - C270



TX084331
UGR I = 18.8
UGR q = 18.8
DIN 5040: B32
UTE: 0,88 G + 0,12 T

■ C0 - C180
■ C90 - C270



TX084332
UGR I = 16.9
UGR q = 16.9
DIN 5040: B32
UTE: 0,88 G + 0,12 T

■ C0 - C180
■ C90 - C270